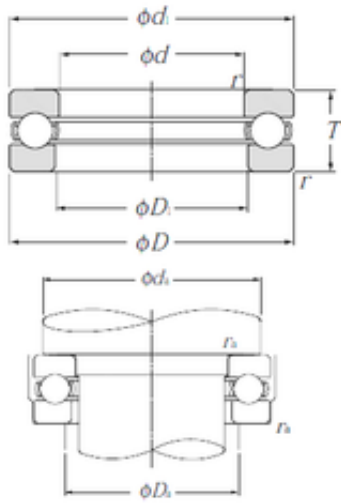




China abec 5 Bearing Supplier



51334 NTN Thrust Spherical Roller Bearing

Bearing No. 51334

Size	170x280x87 mm
Bore Diameter	170 mm
Outer Diameter	280 mm
Width	87 mm
d	170 mm
D	280 mm
T	87 mm
d1	275 mm
r min.	3 mm
D1	174 mm
da min.	235 mm
Da max.	215 mm
ra max.	2,5 mm
Weight	21,6 Kg
Basic dynamic load rating (C)	465 kN
Basic static load rating (C0)	1 570 kN
(Grease) Lubrication Speed	590 r/min

51334 Bearing 2D drawings and 3D CAD models